



● **Features**

- ✓ Universal AC input range 90 ~264VAC
- ✓ Built-in active PFC function, PFC>0.95
- ✓ LED indicator for power on
- ✓ Forced air cooling by built-in DC fan
- ✓ Support output remote voltage compensation and output on / off control
- ✓ -30~+70°C working temperature
- ✓ Short circuit/Over load/Over voltage/Over temperature
- ✓ 3 years warranty

- **Product Application:** Industrial control system, mechanical and electrical equipment, electronic instruments, industrial automation, etc.

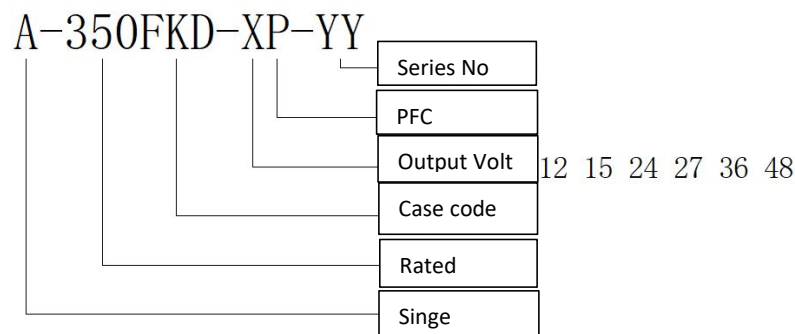
- **Approvals:**   

- **Standard:** EN61000-4-2,3,4,5,6,8,11\GB17625.1\EN61000-3-2,-3\EN55032\GB4943\UL62368-1\IEC62368-1

● **Product Description**

A-350FKD-XP is an industrial control power supply with 350w single channel constant-voltage output. The input voltage range is 90-264 VAC, and the output voltage is 12v, 24v,36v,48v etc. Built in output on/off control and output remote voltage compensation function. It can be applied to various industrial fields such as industrial control system, mechanical and electrical equipment, electronic instruments, industrial automation, etc. The ultra-high efficiency, compact profile design, good heat dissipation, guarantee the long-term stable work of this series of products.

● **Product Name:**

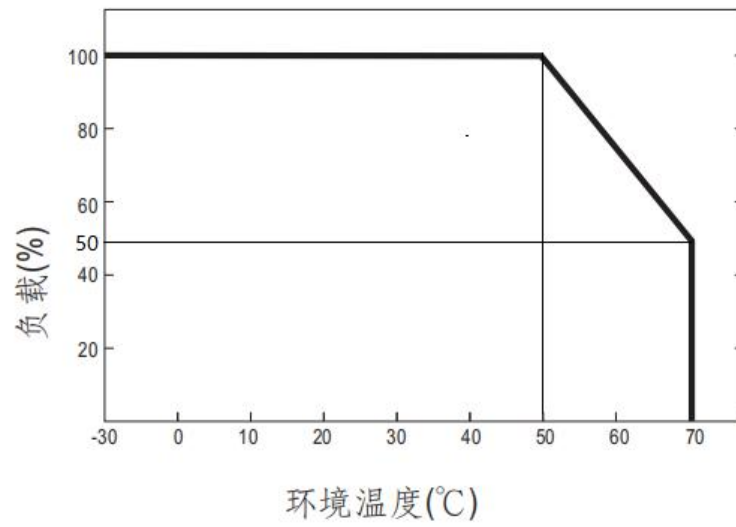


● Electrical parameters

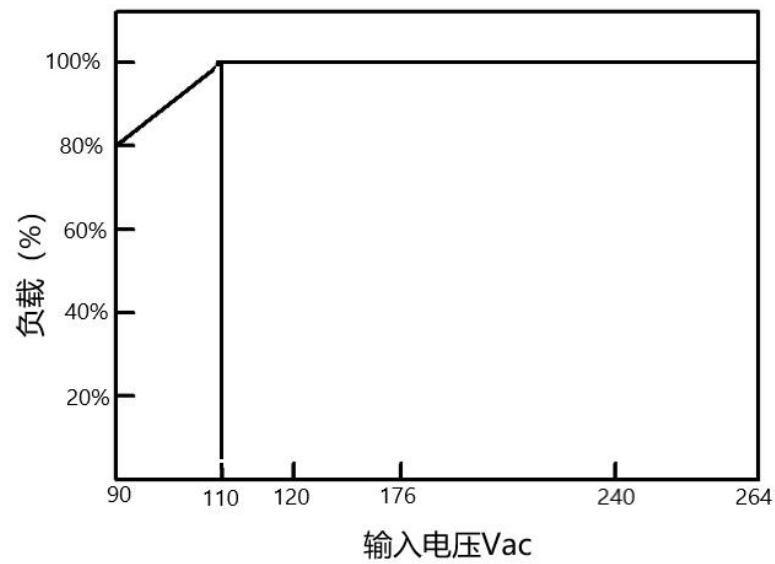
Models		A-350FKD-12P-00	A-350FKD-15P-00	A-350FKD-24P-00	A-350FKD-27P-00	A-350FKD-36P-00	A-350FKD-48P-00
Input	Voltage range	90~264VAC					
	Rated voltage	100~240VAC					
	Current	2.2A/220Vac					
		4.5A/110Vac					
	Efficiency (Typ) 220VAC,100%loading)	86%	87%	88%	88%	89%	89%
	Frequency range	47~63HZ					
	Leakage current	I/P-FG≤3.5mA, I/P-O/P≤0.25mA (Input: 240VAC)					
Inrush current	60A/220VAC						
Output	DC Voltage	12V	15V	24V	27V	36V	48V
	Rated current	0-27A	0-22A	0-14.6A	0-13A	0-9.7A	0-7.4A
	Power	324W	330W	350.4W	351W	349.2W	355.2W
	Voltage adjust range	10~13.2V	13.5~15.5V	20~26.4V	25~29V	32.4~39.6V	41~56V
	Voltage setting range (10%loading)	12.0-12.2V	15.0-15.2V	24-24.3V	27-27.3V	36.0-36.4V	48.0-48.4V
	Ripple and noise	150mVpk-pk	150mVpk-pk	150mVpk-pk	200mVpk-pk	240mVpk-pk	240mVpk-pk
	Set up,rise time time	1500ms, 50ms/220VAC, 100%loading					
	Hold up time	8ms/220VAC, 100%loading					
	Line regulation	±0.5%					
	Load regulation	±1.0%					
	Output Voltage Accuracy	±1.0%					
	temperature coefficient	±0.03% (0-50℃)					
EMC	EMS	Design refer to:EN61000-4-2,3,4,5,6,8,11					
	Harmonic current	Design refer to:GB17625.1;EN61000-3-2 A					
	EMC	Design refer to::EN55032(CISPR32) Class B					
Safety	Safety specification	Design refer to:GB4943/UL62368-1					
	Withstand voltage	I/P-O/P: 3KVac/10mA; I/P-CASE: 1.5KVac/10mA; O/P-CASE: 0.5KVac/10mA Each testing time:1min					
	Insulation impedance	500VDC; I/P-O/P: 10M ohms; I/P-Case: 10M ohms; O/P-Case: 10M ohms					
Protections	Over voltage (10%loading)	13.8-16.2V	16.5-20V	27.5-32.5V	30.5-35V	41.5-49V	57-68V
		Constant voltage, recovers automatically after fault condition removed					
	Over load	110~160% rated current, Hiccup mode, recovers automatically after fault condition is removed					
	Over temperature	Shut down output voltage; recovers automatically after temperature decreases					
	Short circuit	Hiccup mode, recovers automatically after fault condition is removed					
Function	ON/OFF control	C + / C -; 0-0.6v or open circuit power on; 4-10v power off (optional)					
	remote voltage compensation	S + / S -; s + and S - are respectively connected to the positive and negative ends of the load,the maximum line voltage drop can be compensated to 0.2V (optional)					
	Cooling method	Forced air cooling by built-in DC fan					

<b>Environment</b>	Working Temp&humidity	-30~70℃; 20%~95%RH non-condensing (Refer to Derating Curve)
	Storage Temp&humidity	-40~80℃; 10%~95%RH non-condensing
	Vibration	10~500Hz,2G, 10min/1 cycle,60min.each along X,Y, Z axes
	Impact	20G, last 11mS, 3 impacts along X, y and Z axes
	Altitude	the ambient temperature derating of 0.6 ℃/100m for operating altitude higher than 2000m
<b>Reliability</b>	MTBF	Under 25℃: 100000Hrs, Telcordia SR-332 issue3 Method
<b>Other requirements</b>	Size	215*115*30mm (L*W*H)
	Packing	0.8Kg/PCS; 20PCS/CTN
	Cooling method	<input type="checkbox"/> free air convection <input checked="" type="checkbox"/> with fan
	More options	<input type="checkbox"/> PCB double side conformal coating <input type="checkbox"/> Terminal with cover <input type="checkbox"/> low temp start (-40℃) <input type="checkbox"/> Other
<b>Notes</b>	<p>*In order to extend the service life, it is recommended to leave 30% more allowance when loading. For example, if the equipment needs 100W power, please choose the power supply over 130W.</p> <p>*Ripple&amp;noise are measured at 20MHz of bandwidth by using a 12" twisted pair-wire terminated with a 0.1uf &amp; 47uf parallel capacitor.</p> <p>*All parameters NOT specially mentioned are measured at 230VAC input,rated load and 25℃ of ambient temperature.</p> <p>*the auxiliary heat dissipation of aluminum plate with an area of 400 * 400 * 3mm must be used when full load working.</p> <p>*The power supply is considered a component which will be installed into a final equipment.The final equipment must be re-confirmed that it still meets EMC directives.All our EMC tests are carried out by mounting samples on metal plates.</p>	

● Load and Temperature curve



● Input voltage and Loading curve





**● Instructions:**

- 1、 please follow the installation instructions when use the power supply。
- 2、 Before power on test run after installation, please check and proofread the wiring on each terminal, make sure that the input and output, AC and DC, positive and negative, voltage and current values are correct, prevent the occurrence of wrong connection, and avoid damaging the power supply and user equipment。
- 3、 Before power on, please use a multimeter to measure whether the live wire, zero wire and ground wire are short circuited, and whether the output terminal is short circuited; it is better to start without load when power on。
- 4、 Do not exceed the nominal value of the power supply when using, so as not to affect the reliability of the product. If you need to change the output parameters of the power supply, please consult our technical department before using.
- 5、 In order to ensure the safety of use and reduce interference, please ensure that the grounding terminal is reliably grounded (ground wire please thicker than AWG18#) 。
- 6、 If the power supply fails, please do not repair it without permission. Please contact our customer service department as soon as possible, customer service line: 86-519-85215050。

**● Transport、 storage:****1、 Transport:**

The package is suitable for shipping by automobiles, ships, airs, trains, etc. During transportation, it shall be rain proof,loaded and unloaded gently。

**2、 Storage:**

When the product is not in use, it shall be placed in the packing box. The storage environment temperature and relative humidity shall meet the requirements of the product. No corrosive gas or product in the warehouse, and no strong mechanical vibration, impact and strong magnetic field. The packing box shall be padded at least 20cm above the ground, and not be soaked. If the storage time is too long (more than 1 year), it shall be rechecked by professionals before use.

